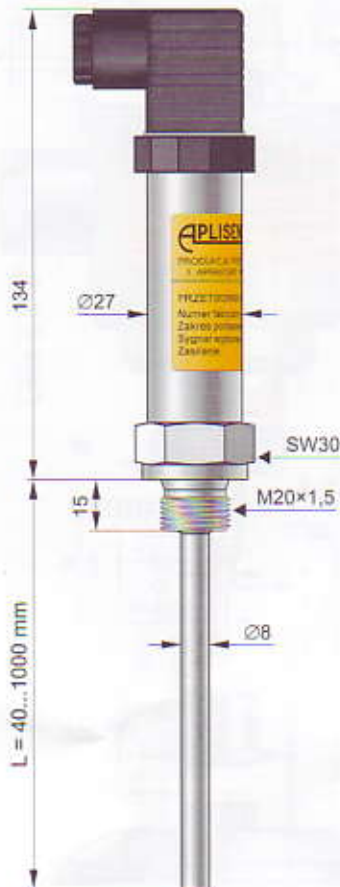


SMART TEMPERATURE TRANSMITTER TYPE APT-28



- ✓ Temperature measurement in the food processing and
- ✓ Stainless steel housing.
- ✓ Programmable measurement range.
- ✓ Output signal 4+20mA two wire transmission.

Design and application area.

The smart temperature converter APT-28 is designed for temperature monitoring of various utilities. Measurements are taken by a platinum temperature gauge combined with a digital electronic converter that produces standard output signals 4 .. 20 mA. The entire unit is enclosed into a housing made of Stainless steel with standard DIN 43650 connector with IP65 protection class.

Adjustment of immersion depth for the gauge.

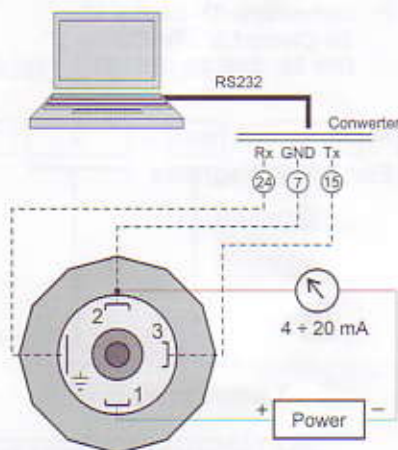
The measuring sensor (thermometer resistor) is placed nearby the sensor tip. Thus, the tip must be placed as close as possible to the location where measurements are to be taken.

Configuration.

When a client defines, upon order placement, the required measurement range and status of the unit output when the sensor circuit is de-energized (open), Aplisens shall deliver the converter with desired configuration. Any amendments to the converter configuration should be subcontracted to the Aplisens company or can be made by clients on their own by means of the dedicated AT software running on a PC computer and communicating the device via an RS converter and the APT-28 adapter. The software makes it possible to alter the device configuration, including changes of measurement range, calibration of the converter, correction of the output characteristic for sections of measurement intervals and offsetting the entire characteristic.

Technical Data

Measuring range:	-40++140°C
* if installation of the transmitter guarantees that temperature of its casing shall be kept within the limits from -25C to +80C, the measurement range can be extended.	
Minimum set range:	30°C
Accuracy:	±0.16%
Error (deviation) due to ambient temperature variation.	0.1%/10°C
Error due to supply voltage changes	0.1%
Output signal:	4+20mA
Power supply:	7+29V DC
Load resistance:	$R[\Omega] < (U_{zasil}[V]-7V)/0.023A$
Alarm signal:	23mA or 3,8mA, programmable
Ambient temperature:	-25+80°C
Material:	shield sensor (321ss) casing (304ss)



Ordering procedure

