

Bimetal standard thermometers/surface mount thermometers/flue gas thermometers



Bimetal standard thermometers

Application Heating, plumbing

Technical specifications **Nominal size** 50 – 63 – 80 – 100 – 160

Measuring element
Bimetal helix

Accuracy class
2 (EN 13190)

Ranges °C
-20/+60, 0/60, 0/120, 0/160

Working temperature
Full scale value

Operating pressure at thermowell
Max. 6 bar

Standard version **Connection**
Stem brass, Ø 9 mm
Thermowell G½B, brass, removable

Mounting position
NG 50 – 63 – 80 – 100 – 160
centre back
NG 63 – 80 – 100 bottom

Dial
Up to 120 °C plastic, greater than 160 °C aluminium, white
Dial marking black

Pointer
Plastic, black

Housing
Sheet steel galvanised

Push on bezel
Sheet steel nickel-plated

Window
Plastic

Options

- Other ranges
- Nominal size 34

Surface mount thermometers

Heating, plumbing

Nominal size
63 – 80

Measuring element
Bimetal spiral

Accuracy class
2 (EN 13190)

Ranges °C
0/60, 0/120

Working temperature
Full scale value

Connection
NG 63 with heat-conducting element and fastening spring or universal clamp for pipes ¾" to 1½"

NG 80 with heat-conducting element and fastening spring

Mounting position
NG 63 – 80 centre back

Dial
Aluminium, white –
Dial marking black

Pointer
Plastic, black

Housing
Sheet steel galvanised

Push on bezel
Sheet steel nickel-plated

Window
Plastic

▪ Other ranges

- Plastic housing

RT / RTC

Flue gas thermometer RT and flue gas temperature controller RTC for gas and oil fired systems

Nominal size
80

Measuring element
Bimetal helix

Accuracy class
2 (EN 13190)

Ranges °C
RT: 0/300, 0/500
RTC: 0/350

Working temperature
Full scale value

Connection
RT: Stem stainless steel 316 L, plain, with adjustable cone, brass

RTC: Stem stainless steel 316 L, plain, with ring magnet bracket

Mounting position
centre back

Dial
Aluminium, grey –
dial marking black; RTC with green and red reference zones

Pointer
Aluminium, black
RTC with additional max. pointer

Housing
Sheet steel galvanised

Push on bezel
Sheet steel nickel-plated

Window
Plastic

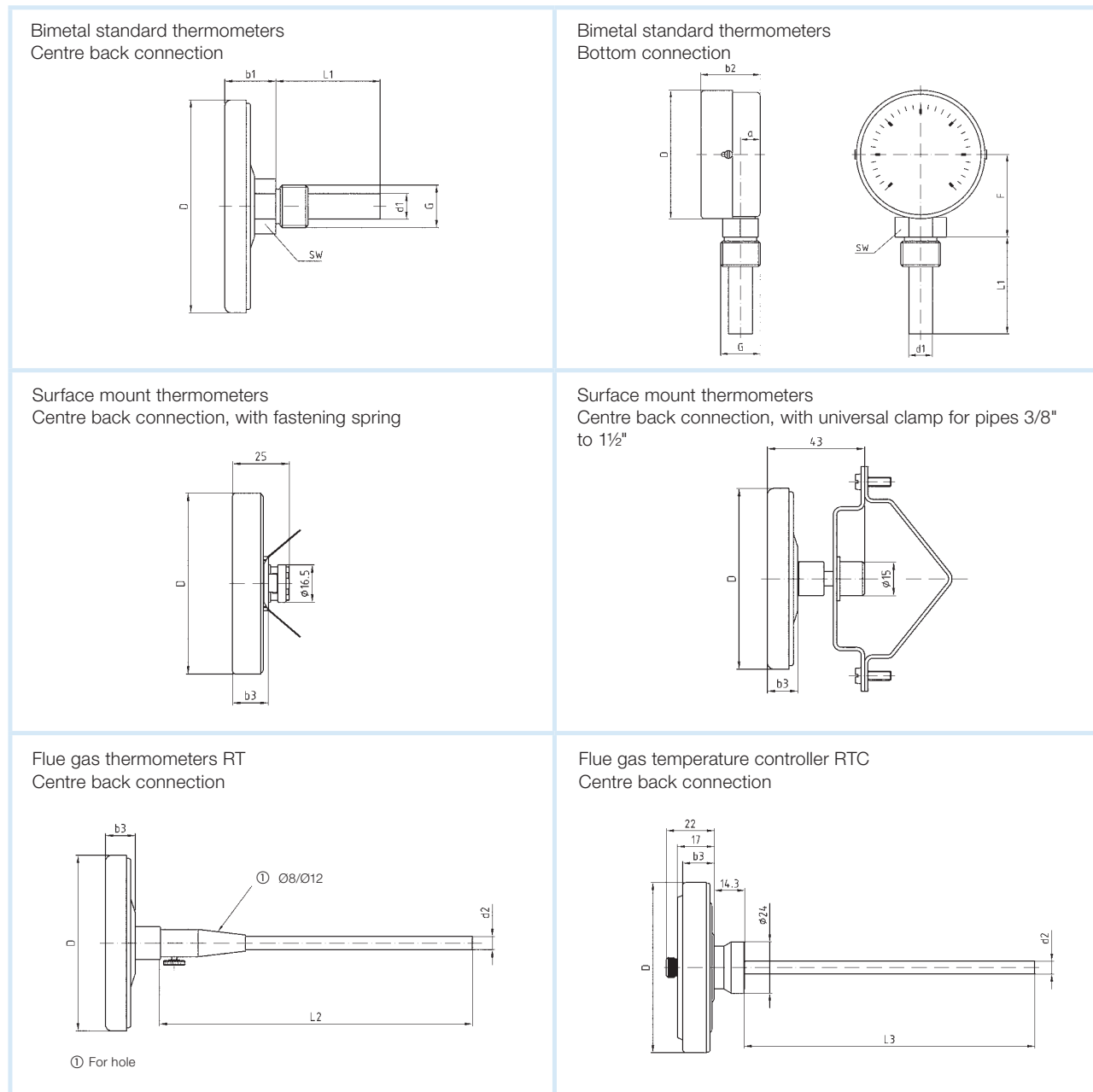
i

See page 485 for prices.

12

Bimetal standard thermometers/surface mount thermometers/flue gas thermometers

Housing types and dimensions (mm)



12

Dimensions (mm)

Nominal size (NG)	a	b1	b2	b3	D	d1	d2	F	G	L1	L2	L3	SW
50	-	18	-	-	50	12	-	-	G½B	40			19/22
63	10	20	35	15	63	12	-	29.3	G½B	63	141		19/22
80	10	21	33	15	80	12	6	47.3	G½B	100	191	86	19/22
100	10	23.7	40.5	-	100	12	-	59.3	G½B	150	291	136	19/22
160	10	22	-	-	160	12	-	-	G½B	200			19/22