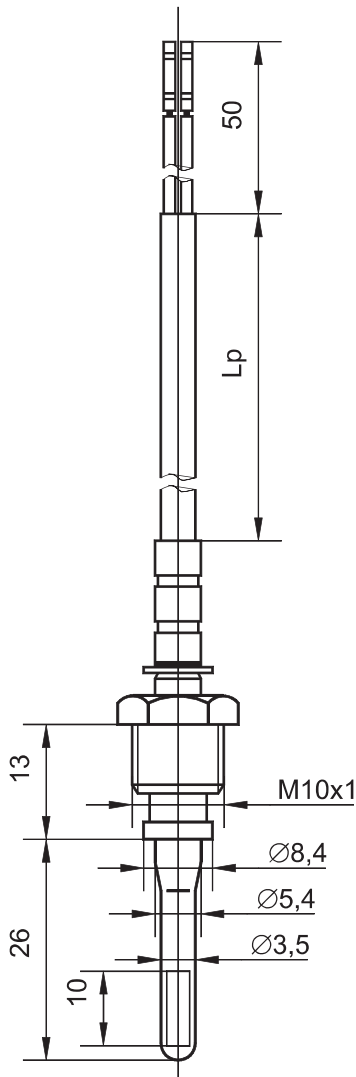


TEMPERATURE SENSOR TYPE CT E4



TECHNICAL DATA:

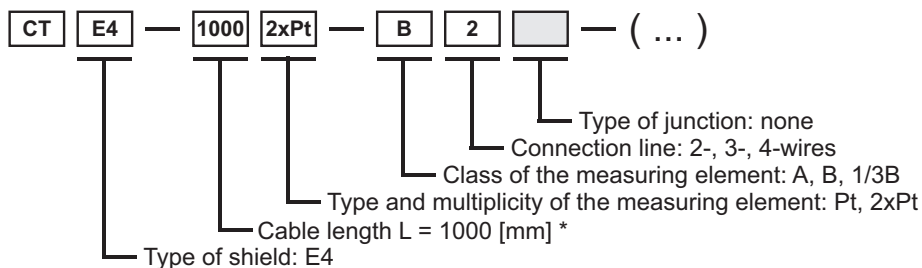
- Measuring range:
Pt: -50 ... 180/100 [°C]
- Standard material of the shield:
acid resistant steel 1H18N9T
- Standard cable length / cable type:
 $L_p=1000$ [mm] (*) / silicone or PVC isolated copper wire
- Time constant:

Type of sensor	$T_{0,5}$ [s]	$T_{0,9}$ [s]
CT E4	≤ 1.5	≤ 4.5

APPLICATION:

The sensor is designed for measuring temperature in heating pipelines. The sensors can be installed in a T-connector with special socket, or in special sockets of globe valves.

EXAMPLE OF ORDER:



ADDITIONAL INFORMATION:

- * We offer non-standard executions of temperature sensors on demand.
- Standard thermometric resistor Pt100. In case of ordering Pt500 or Pt1000, please specify this information between brackets.

CT E4 — 2000 Pt — A 3 — (Pt500)