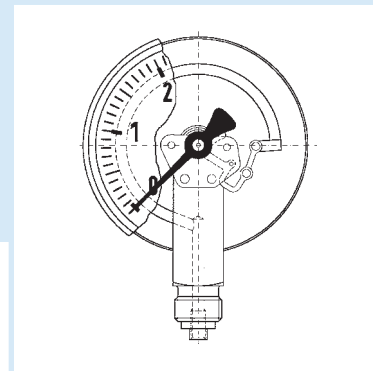
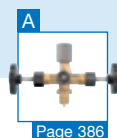


# Bourdon tube pressure gauges for welding applications EN 562



- Design as per EN 562
- Rear blow-out
- Measuring system cleaned, oil-free and grease-free
- Many customised versions available



**Application** For welding and cutting machines and systems as well as similar processes.

## Technical specifications

**Type**  
D 2/D 3

**Nominal size**  
50 – 63

**Version**  
EN 562

**Accuracy class (EN 562)**  
2.5

**Ranges (EN 562)**  
-1/0 to -1/+15 bar  
0/1 to 0/400 bar

**Application area**  
Static load:  $\frac{3}{4}$  x full scale value  
Dynamic load:  $\frac{2}{3}$  x full scale value  
Short-term: Full scale value

## Operating temperature range

Medium:  $T_{max} = +60\text{ }^{\circ}\text{C}$   
Ambient:  $T_{min} = -20\text{ }^{\circ}\text{C}$   
 $T_{max} = +60\text{ }^{\circ}\text{C}$

## Temperature performance

Indication error when the temperature of the measuring system deviates from the normal temperature of 20 °C:

Rising temperature approx.  $\pm 0.4\text{ } \%/10\text{ K}$   
Falling temperature approx.  $\pm 0.4\text{ } \%/10\text{ K}$   
of full scale value

## Degree of protection

IP 32 (EN 60529)

9

## Standard version

**Connection**  
Brass, bottom or centre back, with damping in the pressure inlet  
G $\frac{1}{4}$ B – spanner size SW 14 (EN 837-1/7.3)

**Measuring element**  
Bourdon tube, copper alloy  $\leq 40$  bar  
"C" type tube  $> 40$  bar helical tube (copper portion in case of acetylene  $< 70\text{ } \%$ )

**Degree of cleanliness**  
Wetted parts oil- and grease-free

**Movement**  
Brass

**Dial**  
Aluminium, white  
Dial marking black

## Marking

Label "Oxygen" and symbol "Free from oil and grease" for oxygen  
Label "Acetylene" for acetylene

**Pointer**  
Aluminium, black

**Housing**  
D 2 – sheet steel (gold or black)  
D 3 – stainless steel 304 with rear blow-out

**Window**  
Plastic, clip-in

- Options**
- Litre scales for argon/CO<sub>2</sub>
  - Special scales
  - Other connection threads

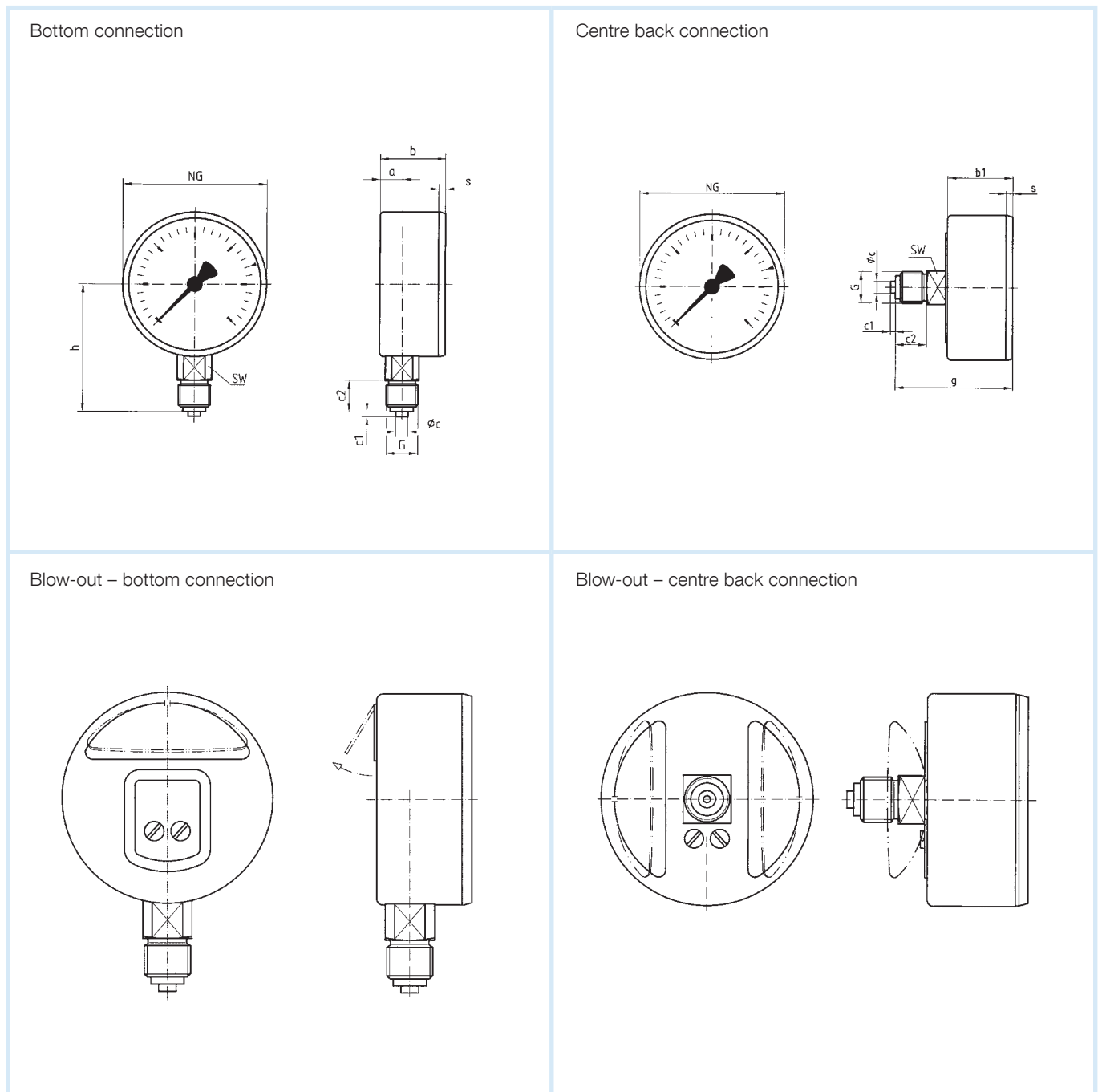


See page 328 for prices.

# Bourdon tube pressure gauges for welding applications

Type D 3 – NG 50/63

## Housing types and dimensions




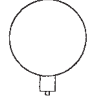
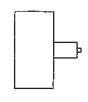
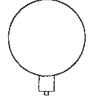
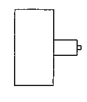
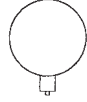
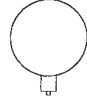
9

### Dimensions (mm)

Nominal size (NG)	a	b	b1	$\phi_c$	c1	c2	G	g	h	s	SW
50	10.5	29	26	5	2	13	G $\frac{1}{4}$ B	47	46	3.8	14
63	11	29.5	29.5	5	2	13	G $\frac{1}{4}$ B	50.5	53	3.7	14

# Bourdon tube pressure gauges for welding/gas applications

DG: M

	Version for welding applications EN 562						
Type	RF63ST, D301	RF50GT, D301	RF50GT, D311	RF63GT, D301	RF63GT, D311	RF50GT, D302 <sup>4)</sup>	RF63GT, D302 <sup>4)</sup>
Version							
Housing Ø	63	50	50	63	63	50	63
Housing	Stainless steel 304 with blow-out						
Measuring element	CU alloy, oil- and grease-free	Copper alloy				Stainless steel 316 Ti/316 L	
Accuracy class	2.5	1.6	1.6	1.6	1.6	1.6	1.6
Connection	G¼B	G¼B	G¼B	G¼B	G¼B	G¼B	G¼B
Range (bar)	Part no.	Part no.	Part no.	Part no.	Part no.	Part no.	Part no.
<b>Price €</b>							
-1/0	---	85051301GT	85051311GT	85101301GT	85101311GT	85051302GT	85101302GT
-1/+0.6	---	85052301GT	85052311GT	85102301GT	85102311GT	85052302GT	85102302GT
-1/+1.5	---	85053301GT	85053311GT	85103301GT	85103311GT	85053302GT	85103302GT
-1/+3	---	85054301GT	85054311GT	85104301GT	85104311GT	85054302GT	85104302GT
-1/+5	---	85055301GT	85055311GT	85105301GT	85105311GT	85055302GT	85105302GT
-1/+9	---	85056301GT	85056311GT	85106301GT	85106311GT	85056302GT	85106302GT
-1/+15	---	85057301GT	85057311GT	85107301GT	85107311GT	85057302GT	85107302GT
<b>Price €</b>							
0/0.6	---	85059301GT	85059311GT	85109301GT	85109311GT	85059302GT	85109302GT
0/1	88300301 <sup>1)</sup>	85060301GT	85060311GT	85110301GT	85110311GT	85060302GT	85110302GT
0/1.6	88301301 <sup>1)</sup>	85061301GT	85061311GT	85111301GT	85111311GT	85061302GT	85111302GT
0/2.5	88302301 <sup>1)</sup>	85062301GT	85062311GT	85112301GT	85112311GT	85062302GT	85112302GT
0/4	88303301	85063301GT	85063311GT	85113301GT	85113311GT	85063302GT	85113302GT
0/6	88304301 <sup>2)</sup>	85064301GT	85064311GT	85114301GT	85114311GT	85064302GT	85114302GT
0/10	88305301	85065301GT	85065311GT	85115301GT	85115311GT	85065302GT	85115302GT
0/10	88306301 <sup>3)</sup>	---	---	---	---	---	---
0/16	88307301 <sup>2)</sup>	85066301GT	85066311GT	85116301GT	85116311GT	85066302GT	85116302GT
0/25	88308301	85067301GT	85067311GT	85117301GT	85117311GT	85067302GT	85117302GT
0/40	88309301 <sup>1)</sup>	85068301GT	85068311GT	85118301GT	85118311GT	85068302GT	85118302GT
0/40	88310301 <sup>2)</sup>	---	---	---	---	---	---
<b>Price €</b>							
0/60	---	85069301GT	85069311GT	85119301GT	85119311GT	85069302GT	85119302GT
0/100	---	85070301GT	85070311GT	85120301GT	85120311GT	85070302GT	85120302GT
0/160	---	85071301GT	85071311GT	85121301GT	85121311GT	85071302GT	85121302GT
0/250	88314301	85072301GT	85072311GT	85122301GT	85122311GT	85072302GT	85122302GT
0/315	88315301 <sup>2)</sup>	85073301GT	85073311GT	85123301GT	85123311GT	85073302GT	85123302GT
0/315	88316301	---	---	---	---	---	---
0/400	88317301	85073301GT	85073311GT	85123301GT	85123311GT	85073302GT	85123302GT

1) With label "Acetylene" 2) With label "Oxygen" 3) Scale 0/30 l/min "Argon" red, 0/28 l/min "CO<sub>2</sub>" black 4) Extra charge centre back connection € 4.70



See page 306 for extra charges.