

Immersion thermostats with housing GTT/GST



Type GTT/7RG

Immersion thermostat with housing, with immersion stem and pocket, adjustable from outside.

Operating ranges

0/60 °C
0/90 °C

Tolerance

$T_{min} \pm 5 \text{ K} - T_{max} \pm 3 \text{ K}$

Switching differential

5 K \pm 1 K

Probe element

Liquid-filled

Pocket

Cu alloy, connection 1/2-14 NPT

Stem lengths

100, 150, 200 mm

Housing

Base plate galvanised sheet steel
Upper part and adjustment knob
ABS (UL 94 V0)

Housing protection

IP 40

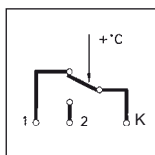
Electrical connections

Cable gland PG 11

Contact rating

K1 16 (4) A 250V AC
K1-2 06 (1) A 400V AC

Switching schematic



Approvals



CE 0497 (PED)



Type GTT/7HG

Immersion thermostat with housing, with immersion stem and pocket, adjustable from inside.

Operating ranges

0/60 °C
0/90 °C

Tolerance

$T_{min} \pm 5 \text{ K} - T_{max} \pm 3 \text{ K}$

Switching differential

5 K \pm 1 K

Probe element

Liquid-filled

Pocket

Cu alloy, connection 1/2-14 NPT

Stem lengths

100, 150, 200 mm

Housing

Base plate galvanised sheet steel
Upper part ABS (UL 94 V0)

Housing protection

IP 40

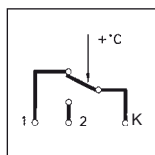
Electrical connections

Cable gland PG 11

Contact rating

K1 16 (4) A 250V AC
K1-2 06 (1) A 400V AC

Switching schematic



Approvals



CE 0497 (PED)



Type GST/9SG

Immersion thermostat with housing, with immersion stem and pocket. With manual reset.

Switch point

100 °C - factory pre-set
(other switch points on request)

Switch point accuracy

+0/-6 K

Reset differential

20 \pm 5 K

Probe element

Liquid-filled

Pocket

Cu alloy, connection 1/2-14 NPT

Stem length

100 mm

Housing

Base plate galvanised sheet steel
Upper part ABS (UL 94 V0)

Housing protection

IP 40

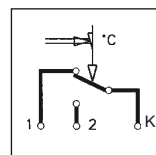
Electrical connections

Cable gland PG 11

Contact rating

K1 16 (4) A 250V AC
K1-2 06 (1) A 400V AC

Switching schematic



Approvals



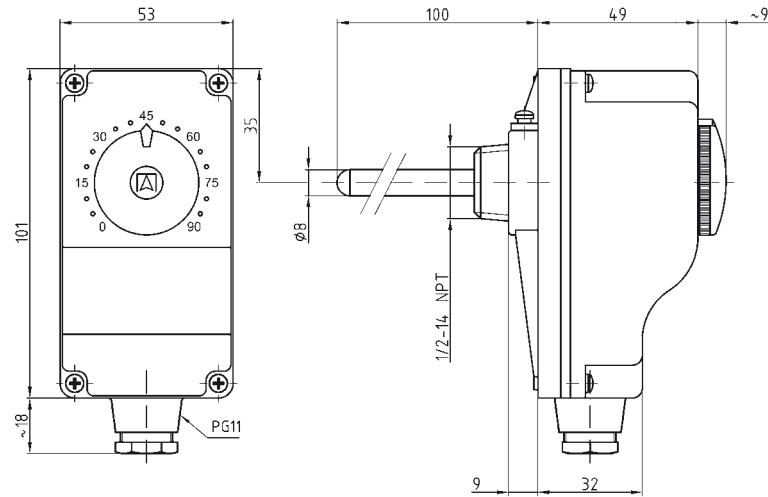
CE 0497 (PED)



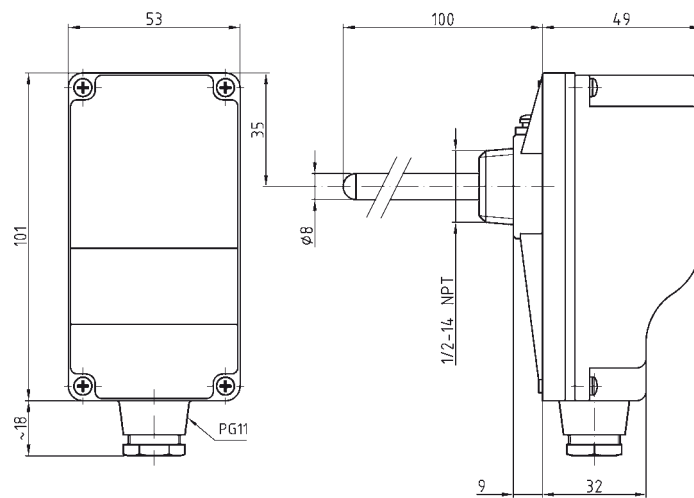
Immersion thermostats with housing GTT/GST

Dimensions (in mm)

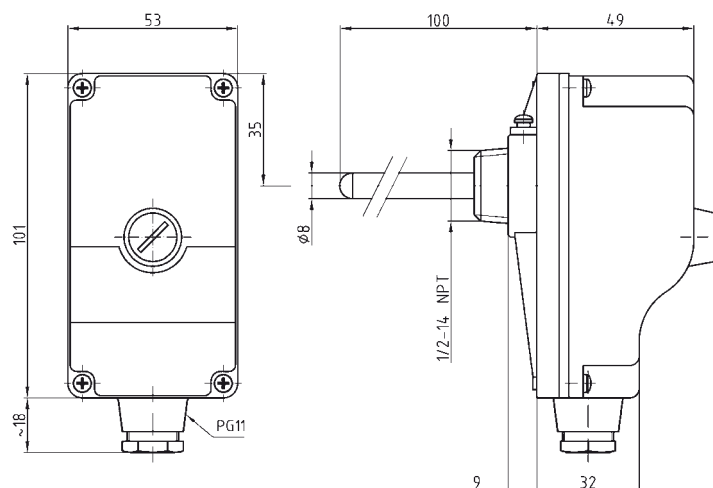
Type GTT/7RG



Type GTT/7HG



Type GST/9SG



Room thermostats

DG: G

Type	Adjustment	Operating range/ switch point	Capillary length	Stem length	Packing unit*	Part no.	Price €
Surface mounting thermostats with housing							
GAT/7RC	outside	0/60 °C	---	---	28	67400	
GAT/7RC	outside	0/90 °C	---	---	28	67401	
GAT/7HC	inside	0/60 °C	---	---	28	67402	
GAT/7HC	inside	0/90 °C	---	---	28	67403	
GSA/9SC	inside	30/70 °C	---	---	28	67404	
Immersion thermostats with housing							
GTT/7RG	outside	0/60 °C	---	100 mm	20	67405	
GTT/7RG	outside	0/90 °C	---	100 mm	20	67407	
GTT/7RG	outside	0/90 °C	---	150 mm	10	67408A	
GTT/7RG	outside	0/90 °C	---	200 mm	10	67408B	
GTT/7HG	inside	0/60 °C	---	100 mm	20	67411	
GTT/7HG	inside	0/90 °C	---	100 mm	20	67413	
GTT/7HG	inside	0/90 °C	---	150 mm	10	67414A	
GTT/7HG	inside	0/90 °C	---	200 mm	10	67414B	
GST/9SG	fixed	100 °C	---	100 mm	20	67417	
Capillary type thermostats with housing/Room thermostats with housing							
GTK/7RD	outside	0/60 °C	1,000 mm	---	20	67419	
GTK/7RD	outside	0/90 °C	1,000 mm	---	20	67421	
GTK/7RD	outside	0/90 °C	2,000 mm	---	20	67424	
GTK/7RD	outside	-35/+35 °C	1,500 mm	---	20	67423	
GSK/9SF	inside	70/110 °C	1,500 mm	---	20	67418	
GRT/7RT	outside	0/40 °C	---	---	12	67464	
GRT/7RT	outside	0/60 °C	---	---	12	67465	
GRT/7HT	inside	0/40 °C	---	---	12	67466	
GRT/7HT	inside	0/60 °C	---	---	12	67467	
GRT/7WD	outside	0/40 °C	1,000 mm	---	12	67468	
GRT/7WD	outside	0/60 °C	1,000 mm	---	12	67469	
GRT/7KD	inside	0/40 °C	1,000 mm	---	12	67435	
GRT/7KD	inside	0/60 °C	1,000 mm	---	12	67437	
Twin thermostats with housing							
GDT/8RR	outside/outside	0/60 °C - 30/120 °C	---	100 mm	5	67439	
GDT/8RR	outside/outside	0/90 °C - 30/120 °C	---	100 mm	10	67441	
GDT/8HR	inside/outside	0/60 °C - 30/120 °C	---	100 mm	5	67445	
GDT/8HR	inside/outside	0/90 °C - 30/120 °C	---	100 mm	10	67447	
GDT/8RS	fixed/outside	0/60 °C (100 °C)	---	100 mm	10	67451	
GDT/8RS	fixed/outside	0/90 °C (100 °C)	---	100 mm	5	67453	
GDT/8RS	fixed/outside	0/90 °C (100 °C)	---	150 mm	9	67454A	
GDT/8RS	fixed/outside	0/90 °C (100 °C)	---	200 mm	9	67454B	

* Minimum order quantity for non-stock items = 100 pieces