

# Capillary type thermostats with housing GTK/GSK Room thermostat with housing GRT



## Type GTK/7RD

Capillary type thermostat with housing, adjustable from outside.

### Operating ranges

-35/+35 °C, 0/60 °C, 0/90 °C

### Tolerance

-35/+35 °C:  $T_{min} \pm 3 \text{ K} - T_{max} \pm 3 \text{ K}$   
0/60 and 0/90 °C:  $T_{min} \pm 5 \text{ K} - T_{max} \pm 3 \text{ K}$

### Switching differential

-35/+35 °C:  $2 \text{ K} \pm 1 \text{ K}$   
0/60 and 0/90 °C:  $5 \text{ K} \pm 1 \text{ K}$

### Capillary length

1,000, 2,000 mm

### Probe element

Cu alloy / Ø 6,5 x 73 mm, liquid-filled

### Housing

Galvanised sheet steel base plate, with 2 holes Ø 4.2 for wall mounting  
Upper part and adjustment knob ABS (UL 94 V0)

### Housing protection

IP 40

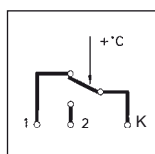
### Electrical connections

Cable gland PG 11

### Contact rating

K1 16 (4) A 250V AC  
K1-2 06 (1) A 400V AC

### Switching schematic



### Options

- Manual reset, switch point 100 °C (type GSK/9SD)

## Type GSK/9SF

Capillary type safety thermostat with housing, adjustable from inside. With manual reset. Specially designed for flue gas monitoring.

### Switch point

70/110 °C - adjustable

### Switch point accuracy

+0/-8 K

### Switching differential

20 ±5 K

### Capillary length

1,500 mm

### Probe element

Cu alloy / Ø 5 x 90 mm, liquid-filled,  $T_{max} 180 \text{ °C}$

### Housing

Galvanised sheet steel base plate, with 2 holes Ø 4.2 for wall mounting  
Upper part ABS (UL 94 V0)

### Housing protection

IP 40

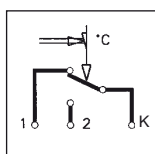
### Electrical connections

Cable gland PG 11

### Contact rating

Gold contacts  
100 mV DC 0.3 A

### Switching schematic



## Type GRT/7RT

Room thermostat with housing for applications in greenhouses, humid rooms and for animal breeding, adjustable from outside.

### Operating ranges

0/40 °C  
0/60 °C

### Tolerance

$T_{min} \pm 3 \text{ K} - T_{max} \pm 2 \text{ K}$

### Switching differential

2 K ±1 K

### Probe element

Liquid-filled

### Housing

PVC, grey

### Housing protection

IP 55

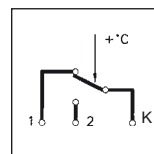
### Electrical connections

Cable gland PG 11

### Contact rating

K1 16 (4) A 250V AC  
K1-2 06 (1) A 400V AC

### Switching schematic



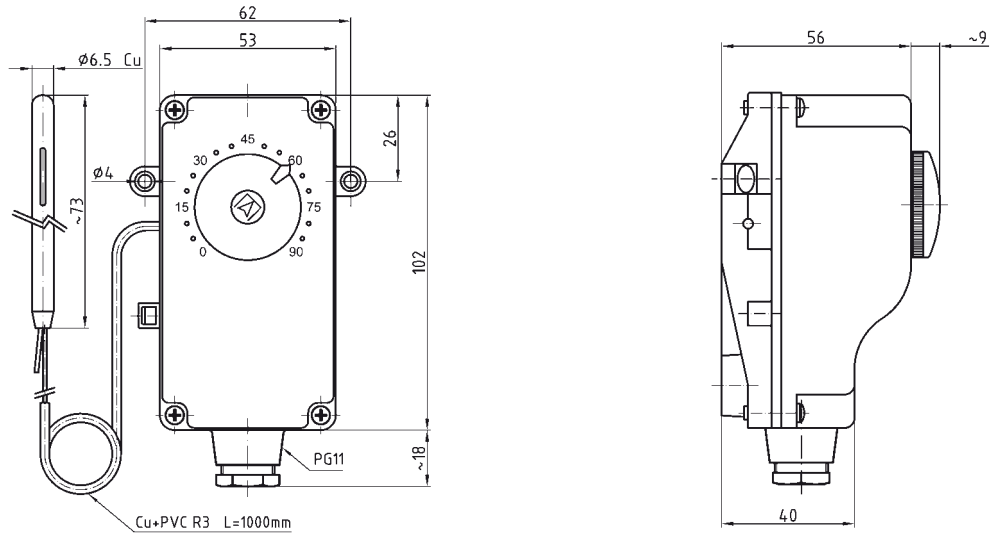
### Options

- Adjustable from inside (type 7HT)
- With capillary, adjustable from outside (type 7WD)
- With capillary, adjustable from inside (type 7KD)

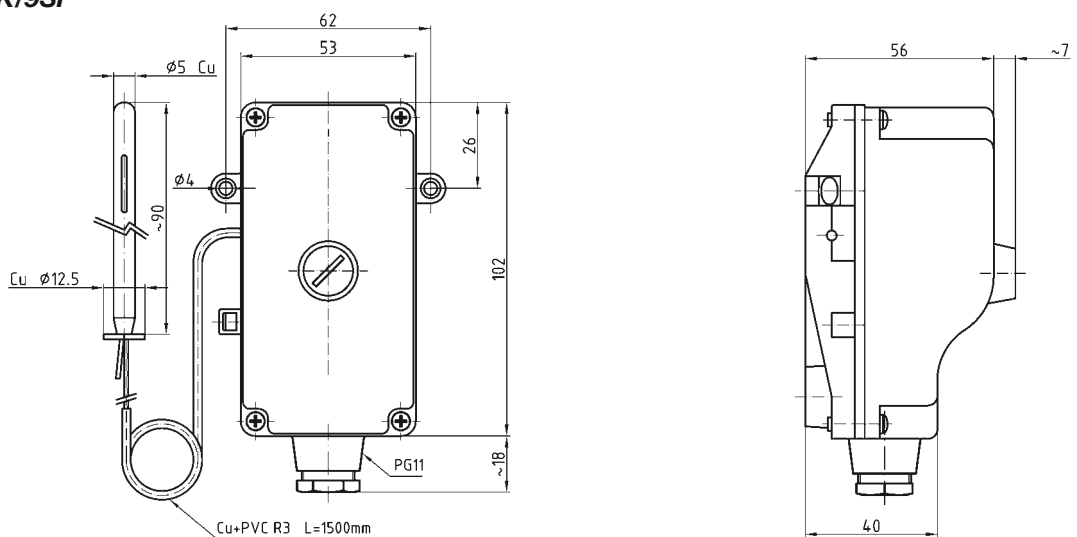
# Capillary type thermostats with housing GTK/GSK Room thermostat with housing GRT

Dimensions (in mm))

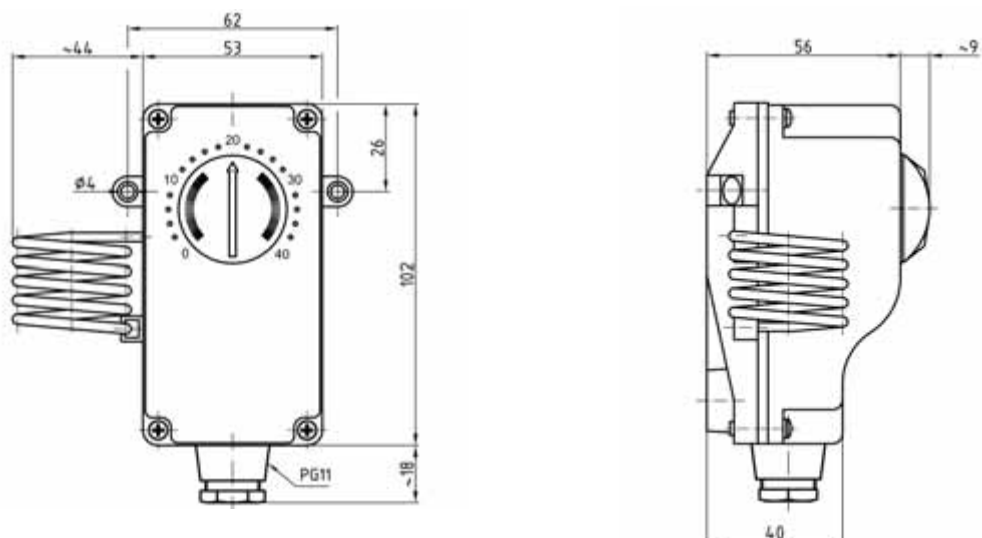
**Type GTK/7RD**



**Type GSK/9SF**



**Type GRT/7RT**



# Room thermostats

DG: G

Type	Adjustment	Operating range/ switch point	Capillary length	Stem length	Packing unit*	Part no.	Price €
<b>Surface mounting thermostats with housing</b>							
GAT/7RC	outside	0/60 °C	---	---	28	<b>67400</b>	
GAT/7RC	outside	0/90 °C	---	---	28	<b>67401</b>	
GAT/7HC	inside	0/60 °C	---	---	28	<b>67402</b>	
GAT/7HC	inside	0/90 °C	---	---	28	<b>67403</b>	
GSA/9SC	inside	30/70 °C	---	---	28	67404	
<b>Immersion thermostats with housing</b>							
GTT/7RG	outside	0/60 °C	---	100 mm	20	67405	
GTT/7RG	outside	0/90 °C	---	100 mm	20	<b>67407</b>	
GTT/7RG	outside	0/90 °C	---	150 mm	10	<b>67408A</b>	
GTT/7RG	outside	0/90 °C	---	200 mm	10	<b>67408B</b>	
GTT/7HG	inside	0/60 °C	---	100 mm	20	67411	
GTT/7HG	inside	0/90 °C	---	100 mm	20	<b>67413</b>	
GTT/7HG	inside	0/90 °C	---	150 mm	10	<b>67414A</b>	
GTT/7HG	inside	0/90 °C	---	200 mm	10	<b>67414B</b>	
GST/9SG	fixed	100 °C	---	100 mm	20	<b>67417</b>	
<b>Capillary type thermostats with housing/Room thermostats with housing</b>							
GTK/7RD	outside	0/60 °C	1,000 mm	---	20	<b>67419</b>	
GTK/7RD	outside	0/90 °C	1,000 mm	---	20	<b>67421</b>	
GTK/7RD	outside	0/90 °C	2,000 mm	---	20	<b>67424</b>	
GTK/7RD	outside	-35/+35 °C	1,500 mm	---	20	67423	
GSK/9SF	inside	70/110 °C	1,500 mm	---	20	67418	
GRT/7RT	outside	0/40 °C	---	---	12	<b>67464</b>	
GRT/7RT	outside	0/60 °C	---	---	12	<b>67465</b>	
GRT/7HT	inside	0/40 °C	---	---	12	<b>67466</b>	
GRT/7HT	inside	0/60 °C	---	---	12	<b>67467</b>	
GRT/7WD	outside	0/40 °C	1,000 mm	---	12	67468	
GRT/7WD	outside	0/60 °C	1,000 mm	---	12	67469	
GRT/7KD	inside	0/40 °C	1,000 mm	---	12	67435	
GRT/7KD	inside	0/60 °C	1,000 mm	---	12	67437	
<b>Twin thermostats with housing</b>							
GDT/8RR	outside/outside	0/60 °C - 30/120 °C	---	100 mm	5	67439	
GDT/8RR	outside/outside	0/90 °C - 30/120 °C	---	100 mm	10	<b>67441</b>	
GDT/8HR	inside/outside	0/60 °C - 30/120 °C	---	100 mm	5	67445	
GDT/8HR	inside/outside	0/90 °C - 30/120 °C	---	100 mm	10	<b>67447</b>	
GDT/8RS	fixed/outside	0/60 °C (100 °C)	---	100 mm	10	67451	
GDT/8RS	fixed/outside	0/90 °C (100 °C)	---	100 mm	5	<b>67453</b>	
GDT/8RS	fixed/outside	0/90 °C (100 °C)	---	150 mm	9	<b>67454A</b>	
GDT/8RS	fixed/outside	0/90 °C (100 °C)	---	200 mm	9	<b>67454B</b>	

\* Minimum order quantity for non-stock items = 100 pieces