

Ultrasonic transmitter

SonarFox® UST 10



1



- Non-contact level measurement of liquid and solid media
- No moving parts
- Maintenance-free, not subject to wear and tear
- Very light housing for easy installation
- Integrated flow calculation with 32-point linearisation
- Optional switching relay for level contact or flow function



Local display

Application For continuous, non-contact level measurement of media with a variety of consistencies and surface characteristics. Non-contact ultrasonic level indicators are the systems of choice for easy level measurement of liquids and bulk solids.

Function principle The SonarFox® UST 10 level indicator uses the physical properties of ultrasonic waves to determine the level. An ultrasonic wave is emitted which is reflected by objects in the cone. The time up to the reception of the reflected echo is a measure of the distance. Since the mounting position is defined, it is possible to calculate the filling level of the medium. Type, density and temperature of the medium have no effect on the measurement – the only prerequisite is a reflecting surface. Acoustically diffuse surfaces such as foam or uneven surfaces of bulk solids are not suitable or should be tested with regard to the application. Installations or stirrers below a plane surface of the medium do not affect the measurement.

Type selection

	01, 02	11, 12	21, 22
Measuring range	0.2 - 4 m	0.25 - 6 m	0.35 - 8 m
Low tanks < 1,000 mm	+	-	-
Tanks between 1,000 mm und 6,000 mm	o	+	-
High tanks > 6,000 mm	-	-	+
Disturbing installations / small distances	-	o	-
Liquids	+	+	+
Solids	+	+	+
High-viscosity or adhesive media	+	+	+
Low-viscosity media	+	+	+
Corrosive media	+	+	+
Conductive media	+	+	+
Non-conductive media	+	+	+
Foam on the medium	-	-	-

- Not suitable
- o Limited suitability
- + Suitable



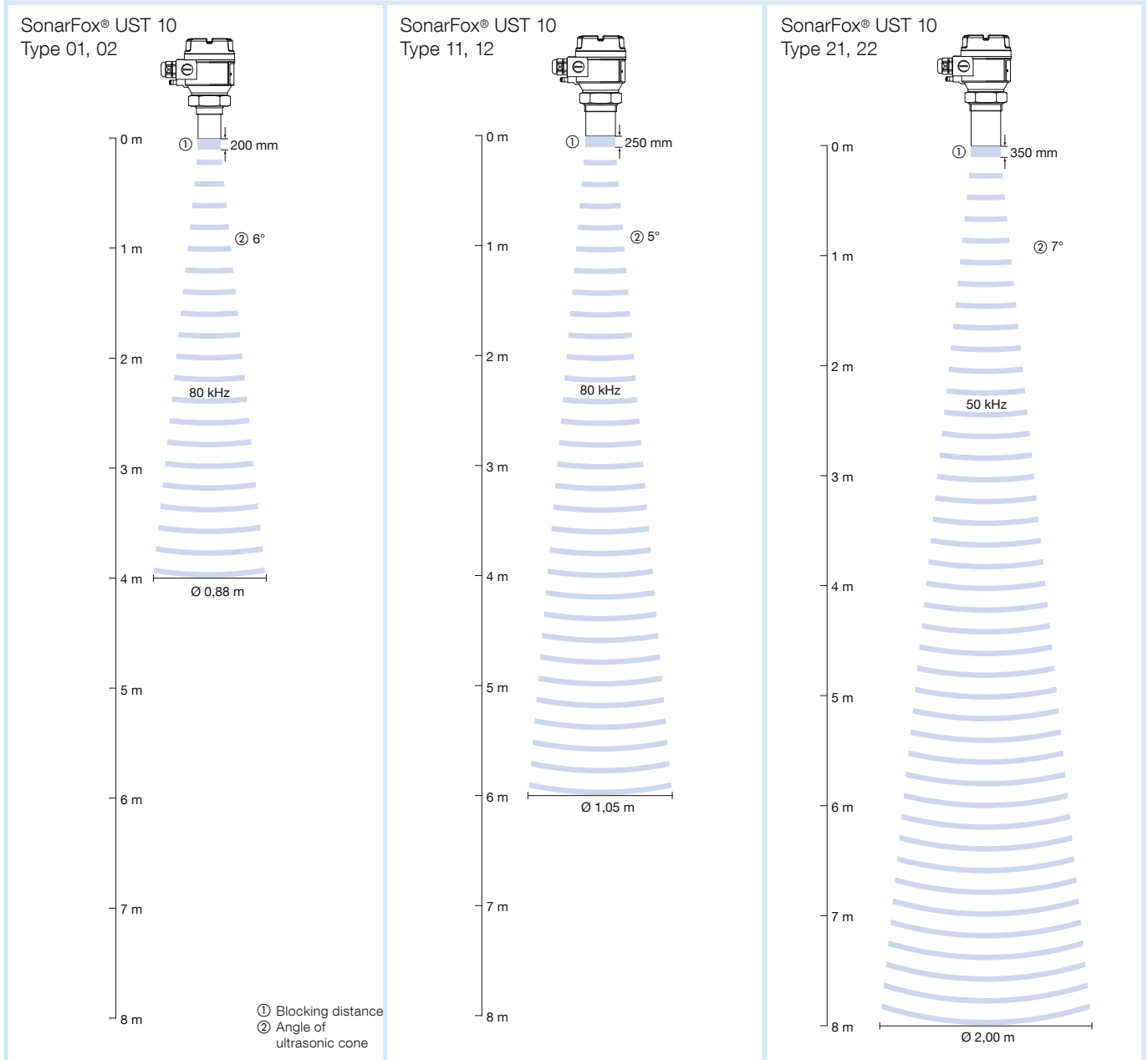
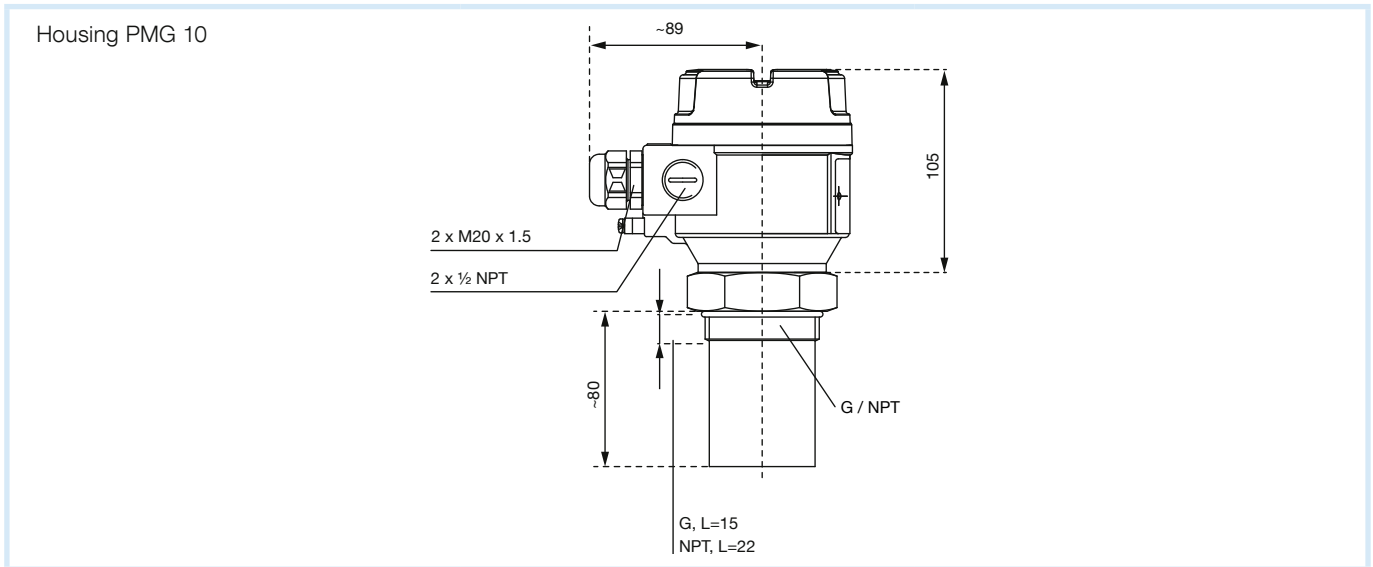
Plug-in local display/programming display
PD 10 UST
Part no. 56210
DG: E



Ultrasonic transmitter SonarFox® UST 10

Types and dimensions (mm)

1



Ultrasonic transmitter

SonarFox® UST 10



1 Technical specifications

Measuring range

Max. 8 m

Power input

48 – 720 mW

Maximum measuring error

0.25 %

Special properties

- Non-contact measurement

Operating temperature range

Ambient: -25/+70 °C

Medium: -30/+90 °C

Supply voltage

2-wire 4 – 20 mA (DC 12 – 36 V)

Ordering data

DG: E

Price €

1 Ultrasonic level indicator

56200 SonarFox® UST 10

2 Display and temperature range

- Without local display and with window
- With local display and with window

3 Housing

K Plastic housing IP67

4 Probe and process connection

- 01** Measuring range 0.2 – 4 m, 80 kHz G1½B, PVDF, IP68
- 02** Measuring range 0.2 – 4 m, 80 kHz, 1½ NPT, PVDF, IP68
- 11** Measuring range 0.25 – 6 m, 80 kHz, G2B, PVDF, IP68
- 12** Measuring range 0.25 – 6 m, 80 kHz, 2 NPT, PVDF, IP68
- 21** Measuring range 0.35 – 8 m, 60 kHz, G2B, PVDF, IP68
- 22** Measuring range 0.35 – 8 m, 60 kHz, 2 NPT, PVDF, IP68

5 Maximum measuring range (L)

- 04000** Max. measuring range for type 01, 02
- 06000** Max. measuring range for type 11, 12
- 08000** Max. measuring range for type 21, 22

5 Output signal

- N** 4 – 20 mA
- R** 4 – 20 mA, relay contact SPDT, 30 V 1 A DC / 48 V 0.5 A AC

Ordering code

56200